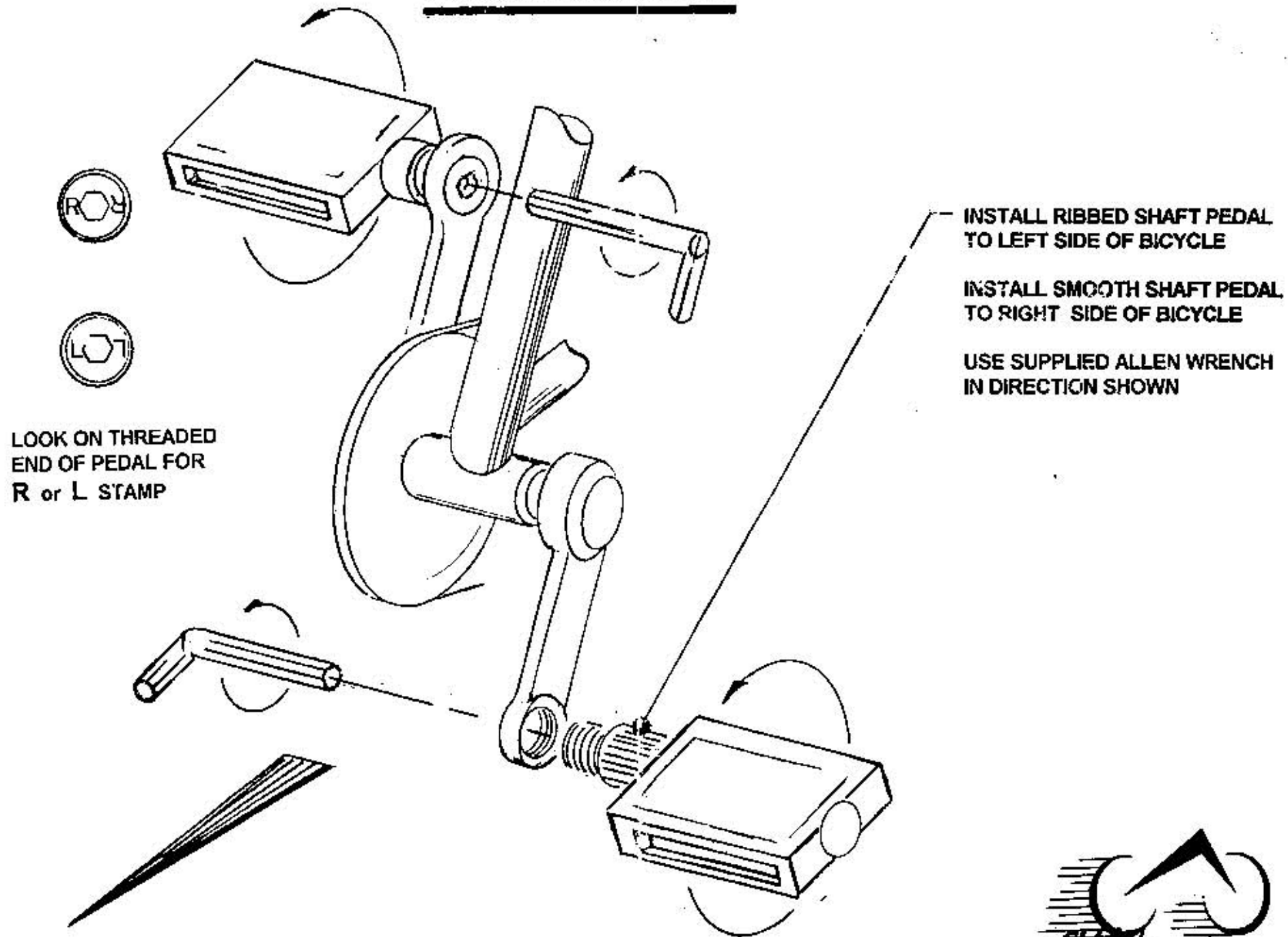


PEDAL INSTALLATION



LOOK ON THREADED
END OF PEDAL FOR
R or L STAMP

INSTALL RIBBED SHAFT PEDAL
TO LEFT SIDE OF BICYCLE

INSTALL SMOOTH SHAFT PEDAL
TO RIGHT SIDE OF BICYCLE

USE SUPPLIED ALLEN WRENCH
IN DIRECTION SHOWN

